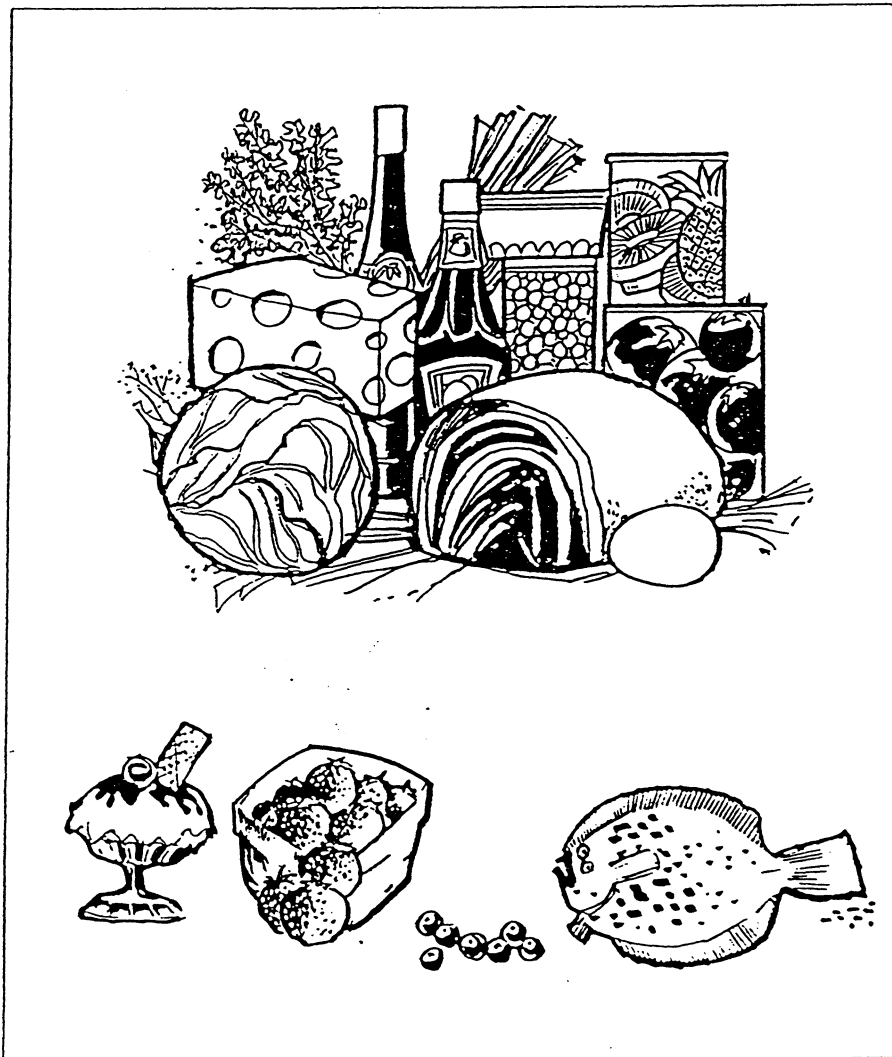


---

# INSTRUCTIONS FOR USE REFRIGERATOR/FREEZER

## TR1178



## WARNINGS & SPECIFIC NOTES

### IMPORTANT USER INFORMATION

**It is most important that this instruction book should be retained with the appliance for future reference. Should the appliance be sold or transferred to another owner, or should you move house and leave the appliance, always ensure that the book is supplied with the appliance in order that the new owner can be acquainted with the functioning of the appliance and the relevant warnings.**

**These warnings are provided in the interest of safety. You must read them carefully before installing or using the appliance.**

- This product is designed to be operated by adults. Children should not be allowed to tamper with the controls or play with the product.
- Any electrical work required to install this appliance should be carried out by a qualified electrician.
- This product should be serviced by an authorised Electrolux Service Engineer, and only genuine Electrolux spare parts should be used.
- It is dangerous to alter the specifications or modify this product in any way.
- Care must be taken to ensure that the appliance does not stand on the electrical supply cable.
- Electrolux domestic refrigeration is designed to be used specifically for the storage of edible foodstuffs only.
- There are working parts in this product which heat up. Always ensure that there is adequate ventilation as a failure to do this will result in component failure and possible food loss. See installation information.
- Parts which heat up should not be exposed. Wherever possible the back of the product should be close to a wall but leaving the required distance for ventilation as stated in the installation information.
- Before defrosting, cleaning or maintenance work is carried out, be sure to switch off the appliance and unplug it.
- The evaporator plate or refrigerated freezer shelves in this appliance contain channels through which the refrigerant passes. If these are punctured this would cause substantial damage to the appliance and result in food loss. **DO NOT USE SHARP INSTRUMENTS** to scrape off frost or ice. Under no circumstances should ice be forced off the lining or shelves. Solid ice should be allowed to thaw when defrosting the appliance. See defrost instructions.
- The appliance should be left for 2 hours after installation before it is turned on in order to allow refrigerant to settle.
- This appliance is heavy. Care should be taken when moving it.
- Ice lollies can cause frost burns if consumed straight from the freezer.
- Frozen food must not be refrozen once it has thawed out.
- Manufacturers' food storage recommendations should be strictly adhered to. Refer to relevant instructions.
- Do not place carbonated or fizzy drinks in the freezer as it creates pressure on the container which may cause it to explode resulting in damage to the appliance.
- Under no circumstances should you attempt to repair the appliance yourself. Repairs carried out by inexperienced persons may cause injury or more serious malfunctioning. Refer to your local Electrolux Service Centre and always insist on genuine Electrolux spare parts.

# INSTALLATION

Place the cabinet in a dry area and ensure that it is not exposed to direct sunlight or any other sources of heat. Ensure that the appliance is steady and level (Fig. 2). If necessary, fix the anti-tip device to the wall (Fig. 3).

Ensure that there is adequate ventilation under, over and behind the cabinet. Ensure that there is a gap of at least 75mm between the top of the cabinet and the ceiling. The total ventilation area should never be less than 200 cm<sup>2</sup>.

## CAUTION :

Please help to avoid accidents by always removing the cabinet doors before scrapping the appliance, thus ensuring that children cannot become trapped inside.

## CONNECTING TO THE MAINS

Before you use your refrigerator/freezer, check that the voltage shown on the data plate inside the cabinet conforms with your mains supply.

A suitable plug should be fitted to the refrigerator/freezer as given below. (If a 13 amp plug and socket are not used, the circuit supplying the freezer should contain a 10 amp fuse).

### WARNING -

**THIS APPLIANCE MUST BE EARTHED.**

The wires in the mains lead of this appliance are coloured in accordance with the following code:-

GREEN-and-YELLOW	EARTH
BLUE	NEUTRAL
BROWN	LIVE

As the colours of the wires in the mains lead may not correspond with the coloured markings identifying the terminal in your plug, proceed as follows:-

Connect the GREEN-and-YELLOW coloured wire to the plug terminal marked letter E or earth symbol or coloured green or green-and-yellow.

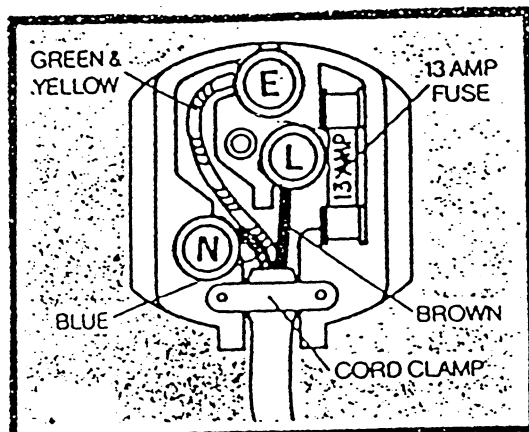
Connect the BLUE coloured wire to the plug terminal marked letter N or coloured black.

Connect the BROWN coloured wire to the plug terminal marked letter L or coloured red.

If at any time a replacement mains lead is required, the cross sectional area of its conductors must not be less than 0.75mm<sup>2</sup>.

The cover of the terminal box can be removed to gain access to the mains lead terminals after releasing the two clips with a small screwdriver, but remember to first disconnect the plug from the electricity supply socket.

However, we recommend that this operation be carried out by a member of the Electrolux Service Organisation or a qualified electrician.



## USING THE REFRIGERATOR

### BEFORE USE

Wash the cabinet and shelves with a mild unscented detergent. Do not use abrasive cleaning agents or pads as these will damage the appliance.

#### Transport Bracket

This is located inside the door, by the lower hinge (see Fig. 1). Remove this and retain it for possible future use.

### HOW TO USE THE REFRIGERATOR

Please read the section 'Using the Controls' on page 7.

#### Starting

Connect the plug to the wall socket.

The temperature is regulated by the thermostat knob (Fig. 6) and can be set between 1 - MAX. The higher the setting, the colder it will be in the cabinet.

Start by using setting 3 and then, later, select the thermostat setting most suitable to your requirements. The compressor is controlled by the thermostat, and will start and stop until the required temperature is reached. The required temperature will then be maintained automatically.

#### Stopping

The mains switch (Fig. 7, item 7) is used to switch off the freezer. The refrigerator can be turned off by turning the thermostat dial to ● (Fig. 6).

**WARNING :** The cabinet is however still connected to the electricity supply. To disconnect the appliance, pull out the plug.

#### Defrosting

Defrosting is fully automatic (Fig. 8). Water channels at the back of the cabinet lead defrost water to a container on top of the compressor. The water evaporates as a result of the compressor heat.

A build-up of ice on the panel can be caused by food packages coming into contact with the panel. If this happens, defrost the appliance manually by turning the thermostat to ●. Ensure that all the ice has melted, including that behind the panel. Wipe dry and restart the cabinet.

To avoid over-icing, and thus save on electricity consumption, ensure that foodstuffs are tightly wrapped. Also ensure that foodstuffs are not warm when placed in the refrigerator, and avoid leaving the door open unnecessarily.

### GENERAL ADVICE

#### Storage in refrigerator

Normal refrigeration temperature is between +4°C and +6°C. Normal operating temperature is reached a couple of hours after the cabinet has been switched on, and the temperature set. Maximum storage temperature varies for different foodstuffs. Consult available information on food packaging and storage containers.

Allow warm foodstuffs to cool before placing in the appliance.

Always store food in containers, or tightly wrapped.

## USING THE FREEZER

### HOW TO USE THE FREEZER

Please read the special instructions concerning the use of the controls.

#### Starting

Connect the plug to the wall socket.

The temperature is regulated by the thermostat knob (Fig. 7) and can be set between 1 - MAX. The higher the setting, the colder it will be in the cabinet.

Start by using setting 3 and then, later, select the thermostat setting most suitable for your requirements. The compressor is controlled by the thermostat, and will start and stop until the required temperature is reached. The required temperature will then be maintained automatically.

#### Stopping

To stop the compressor, turn the thermostat to ● (Fig. 7).

NOTE : To completely switch off the cabinet, disconnect the plug from the electricity supply.

#### Freezer with fast freeze button

##### Deep freezing

When deep freezing large amounts, press the fast freeze button 10-12 hours before the goods are placed in the freezer. After approximately 24 hours the fast freeze button will switch off automatically.

When fast freezing small amounts (up to 3kg/day) there is no need to use the fast freeze button.

Normal storage temperature is between  $-18^{\circ}\text{C}$  and  $-20^{\circ}\text{C}$ .

##### General information about deep freezing

Deep freezing should occur as quickly as possible. Before foodstuffs are frozen, ensure that they are not above room temperature.

The choice of packaging material is extremely important. Check in a manual on freezing foods.

The freezer is equipped either with baskets or shelves with a front grille. In both cases the deep freeze capacity is the same. When freezing, ensure that air can circulate between the packages. When the foodstuffs have been deep frozen, place them on another shelf or in another basket and pack closely together.

##### Defrosting

First switch off the freezer by turning the mains on/off switch to ● (see Fig. 7, item 5). Remove foodstuffs and wrap them in newspapers or blankets and store in a cool place. Defrosting can be speeded up if a container of hot (not boiling) water is placed in the freezer. Use a container that will not scratch the cabinet interior, and do not allow the warm container to come in

contact with plastic surfaces. Pull out the drainage spout (see Fig. 9) and place a container underneath. Allow the door to stay open.

When defrosting is finished dry out the cabinet, restart the freezer and replace the foodstuffs.

Leave the fast freeze button on for approximately 1 day after defrosting.

Frost occurs when damp air freezes. Do not open the door or leave it open unnecessarily.

**Important :** Never use sharp or pointed tools which could damage the cooling system or cabinet interior. Defrost the freezer when the layer of ice is between 5-10mm thick.

## GENERAL ADVICE

### Storage in a freezer

Frozen foods are stored in a temperature of  $-18^{\circ}\text{C}$  and  $-20^{\circ}\text{C}$ . The storage time varies for different foods. Consult available information on food packaging and freezer manuals in order to get the best results from your freezer.

## CARE AND MAINTENANCE

The cabinet should be cleaned regularly. Switch off the cabinet by turning the thermostat knob to ●. Fig. 6 & 7

Remove shelves and fittings and wash them separately. Wipe the cabinet dry, and ensure that the magnetic door seal is clean. Use mild, unscented detergent. Strong cleaning agents, or abrasives, can damage the cabinet. If the cabinet is not going to be used immediately after cleaning, leave the door ajar for ventilation.

To vacuum under the cabinet, remove the ventilation grille by loosening the retaining screws with a coin (Fig. 10).

It is recommended that the cabinet is cleaned at the back at least every second year. Carefully vacuum the condensor, compressors and heater element. Cleaning the back of the cabinet will result in less energy consumption and a longer working life for the compressors.

### Light

The light (Fig. 11) comes on automatically when the door is opened. When changing the bulb, use the same type as the original (15W E 14 fitting bulb).

Always disconnect the plug before changing the bulb.

### Door compartment

The door compartments can be placed at various levels in the door, using the retainers available. To remove the compartments, first push upwards and lift out of position.

## IF THE CABINET DOES NOT WORK SATISFACTORILY

Before calling a Service Engineer, check that:-

- the plug is properly connected
- the fuse has not blown
- the mains supply is functioning (i.e. there isn't a power failure)
- all controls are properly set
- the door is properly closed
- the cabinet is not exposed to excessive heat
- there is no over-icing on the cabinet panel.

If the compressor is failing to start up properly, switch off and try again in 20 minutes.

### Noise

To prevent unnecessary noise, ensure that the cabinet is standing level. A certain amount of noise is quite normal, especially when starting and stopping.

Vibrating or touching pipes at the back of the cabinet can also cause noise.

Loose objects in the cabinet can also cause noise.

### Door Hanging

The door may be hung in a right or left opening position. See Fig. 5 for re-hanging instructions.

## USING THE CONTROLS

### REFRIGERATOR

1. Door switch for interior light
2. Thermostat knob (adjustable 1-MAX)

#### Starting

Connect the plug to the wall socket.

The temperature is regulated by the thermostat knob and can be set between 1-MAX. The higher the setting, the colder it will be in the cabinet.

Start by using setting 3 and then, later, select the thermostat setting most suitable for your requirements. The compressor is controlled by the thermostat, and will start and stop until the required temperature is reached. The required temperature will then be maintained automatically.

Switch off by turning the thermostat knob to ●.

The refrigerator is defrosted automatically. See instructions on page 4.

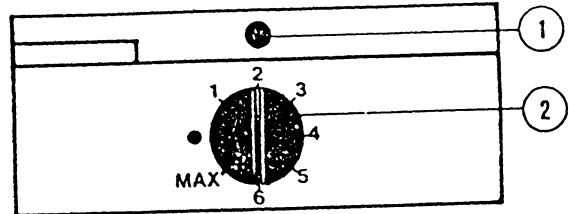


Figure 6

### FREEZER

#### Starting

Connect the plug to the wall socket.

The temperature is regulated by the thermostat knob and can be set between 1-MAX. The higher the setting, the colder it will be in the cabinet.

Start by using setting 3 and then, later, select the thermostat setting most suitable for your requirements. The compressor is controlled by the thermostat, and will start and stop until the required temperature is reached. The required temperature will then be maintained automatically.

1. Temperature indicator
2. Door switch for interior light
3. Fast Freeze light. When switch 6 is pressed to 'S' the red light will illuminate to indicate that fast freezing is in process. When the correct temperature has been obtained turn the switch back to 'N'. The light will also illuminate if the temperature is too warm.
4. Warning light. The green light will remain illuminated when the freezer maintains the preset temperature. The light will go out in the event of a power failure.
5. Thermostat button (adjustable 1-MAX).
6. Fast freeze switch.
7. Mains on/off switch.

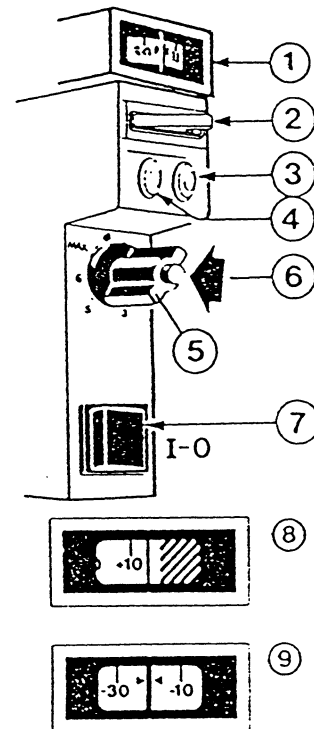


Figure 7

**Temperature indicator (items 1, 8, 9).** This indicator gives the temperature in the warmest frozen food package. When the freezer is not operating, the indicator points at (item 8). When the freezer is first switched on, the indicator will change gradually until the correct freezing temperature has been reached. (item 9).

If the temperature drops to  $-30^{\circ}\text{C}$ , set the thermostat knob to a lower number. Note that the temperature rises when large quantities of food are placed in the freezer.

# SERVICE CENTRES

## NORTHERN AREA

Aberdeen	0224696569
Altham	0282 74621/2/3/4
Belfast	0232 746591
Birmingham	021 358 7076/5051
Edinburgh	031 557 8383
Gateshead	091 493 2025
Glasgow	041 647 4381
Leeds	0532 608511
Leicester	0533 515131
Liverpool	051 254 1724

## SOUTHERN AREA

Brighton	0273 694341
Bristol	0272 211876
Cardiff	0222 460131
Newton Abbot	0626 65909
Oxford	0993 704411
Portsmouth	0705 667411
Tonbridge	0732 357722

## LONDON & EASTERN AREA

Canvey Island	0268 694144
London (North)	01 443 3464
London (South)	01 658 6069
London (West)	01 965 9699
Norwich	0603 667017



## **G U A R A N T E E**

This Guarantee is offered to you as an extra benefit and does not affect your legal rights.

Electrolux products are carefully designed, manufactured, tested and inspected and in consequence we undertake to replace or repair any part found to be defective in material or workmanship, within one year of delivery to the original purchaser, free of charge.

**ADDITIONALLY, DURING THE SUBSEQUENT FOUR YEARS, ANY DEFECTIVE PARTS WILL BE REPLACED FREE - LABOUR COSTS ONLY BEING CHARGEABLE.**

The Company does not accept liability for defects arising from neglect, misuse, or accident.

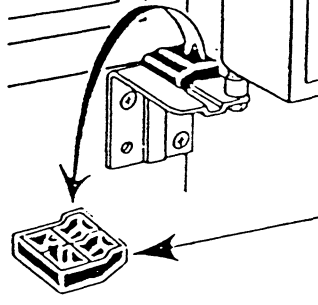
There are certain conditions which may invalidate this guarantee:

- a) It is dependent upon the appliance being correctly installed and used in accordance with the Company's instructions under normal domestic conditions within the United Kingdom or the Republic of Ireland.
- b) Service at all times must be carried out by an Electrolux Service Representative or an authorised agent.
- c) This guarantee may be invalidated by unauthorised repair or modification of the appliance.

Proof of the date of purchase will be required before service under guarantee is provided. Addresses or telephone numbers for service requests are listed on page 8.

We must point out that this guarantee does not cover liability for loss of food or other contents, but would draw your attention to the insurance facilities described on the separate leaflet.

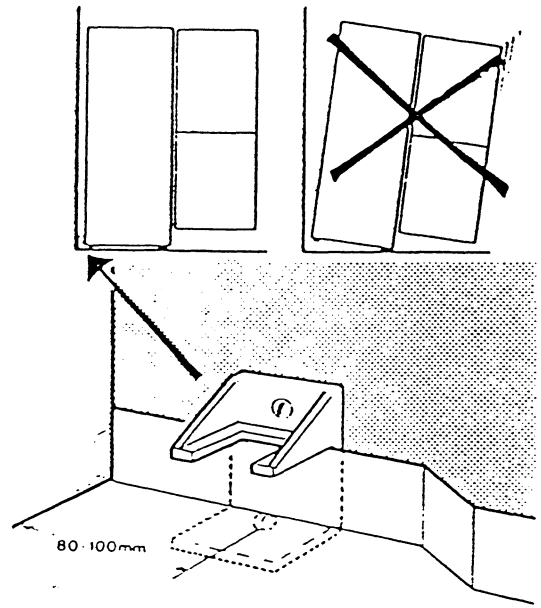
1



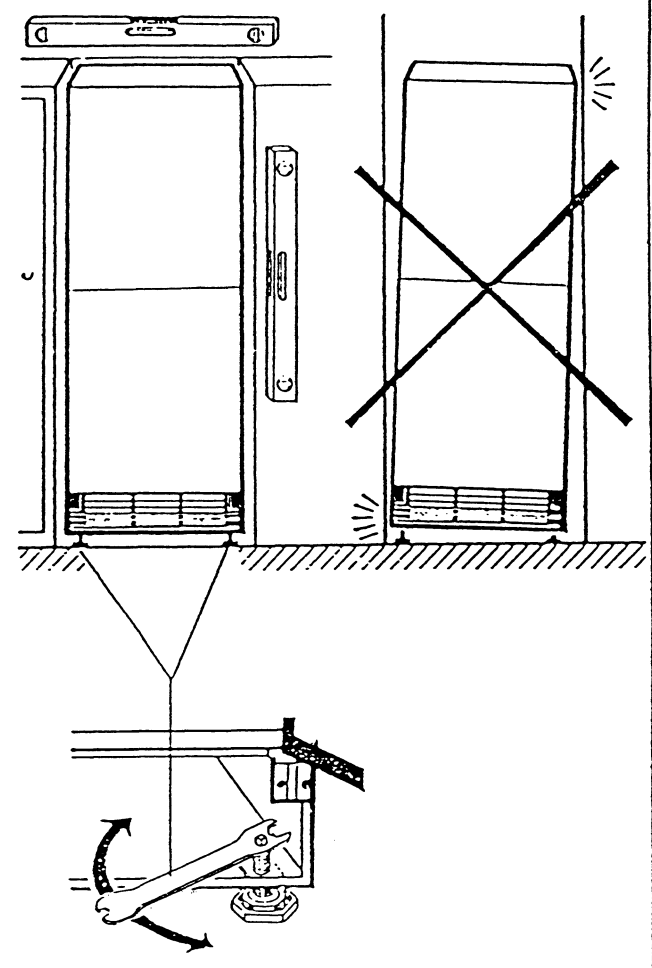
OBS!  
OBS!  
OBS!  
HUOM!  
NOTE!  
NOTA!  
WICHTIG!  
NB!  
NOTA:

Tag bort  
Ta bort  
Tag af  
Poistakaa  
Remove  
Enlever  
Wegnehmen  
Wegnehmen  
Quitar

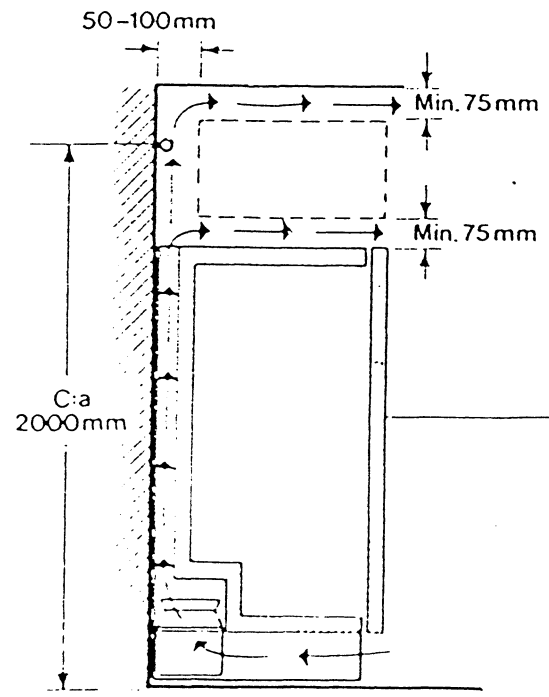
3



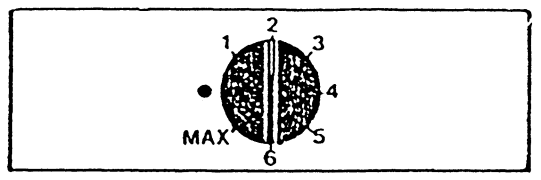
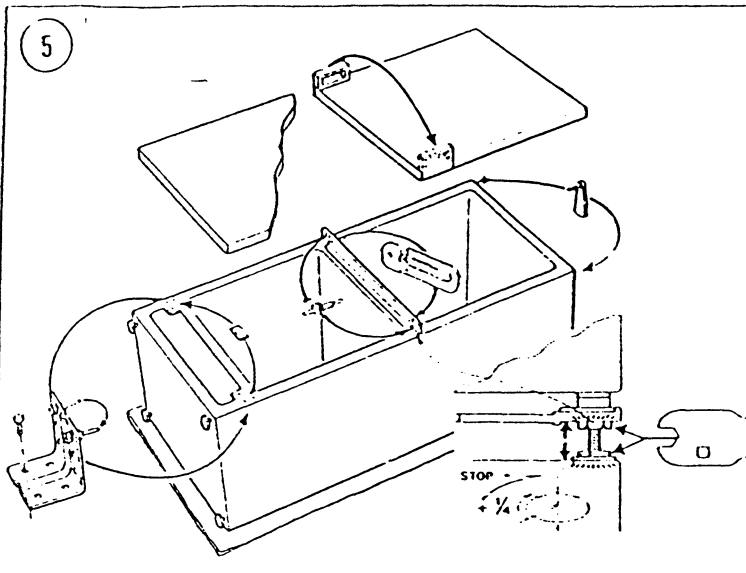
2



4



MADE IN SWEDEN			
VOLTS	WATTS	FUSE	VOLUME: LITRES
<input type="text"/>	<input type="text"/>	<input type="text"/>	<input type="text"/>
	Hz	<input type="text"/>	<input type="text"/>
	g	<input type="text"/>	<input type="text"/>
	kg/24 h	TEST PRESSURE	
MOD	PROD NO	SER. NO	
<input type="text"/>	<input type="text"/>	<input type="text"/>	



6

